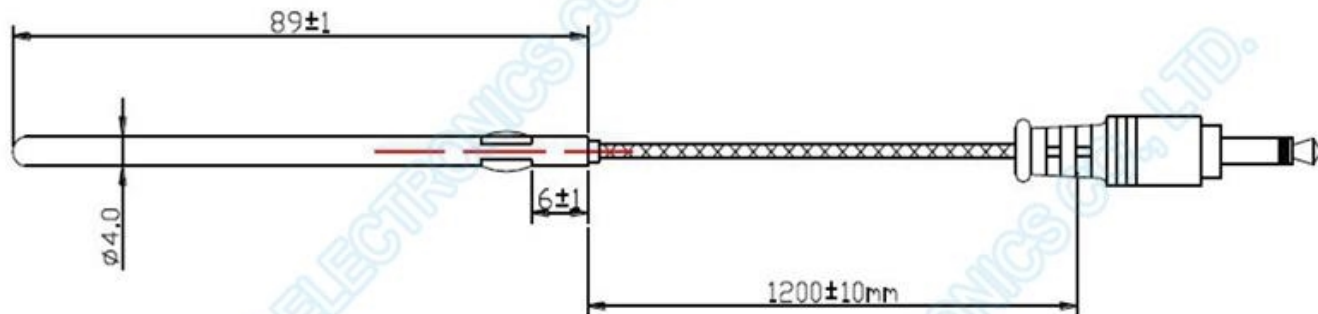

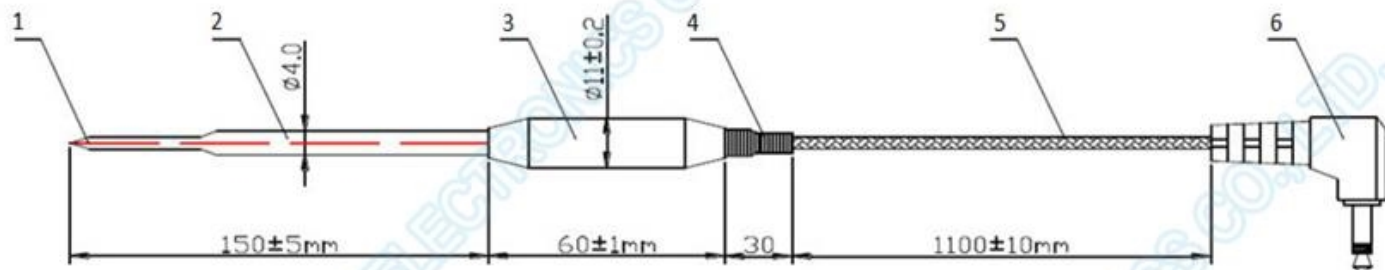


UNIT:mm



RESISTANCE AT 25°C (ohms)	B COMSTANT (25-85)	TEMPERATURE °C	THERMAL TIME CONSTANT (SEC.)	THERMAL DISSIPATION CONSTANT (Mw/°C)	H1 Series PART No.:		
R25:100K Ω ±1%	4070	-40°C ~ 350°C	Max. 8	≥ 2.5	CWFB1104FC-122M		
No.	COMPONENT	MATERIAL AND SPECIFICATIONS	Q'TY	REMARK	DRAWING No.:	WG2165464	
4	ELEMENT	ACU CHIP	1		REVISION:	V1	SCALE: 1:1
3	HOUSING	Stainless Steel Probe(S304) Φ4*0.4*91	1		APPROVED BY:	Chemmy	DATE: 2016.06.23
2	LEAD WIRE	Braided cable AWG26*1P OD1.65 380 °C	1280		CHECKED BY:	Carson	DATE: 2016.06.23
1	CONNECTOR	Audio plug, 2.5mm	1		DRAWN BY:	Olive	DATE: 2016.06.23
					 Dongguan Ampfort Electronics Co., Ltd. 东莞市安伏特电子有限公司		

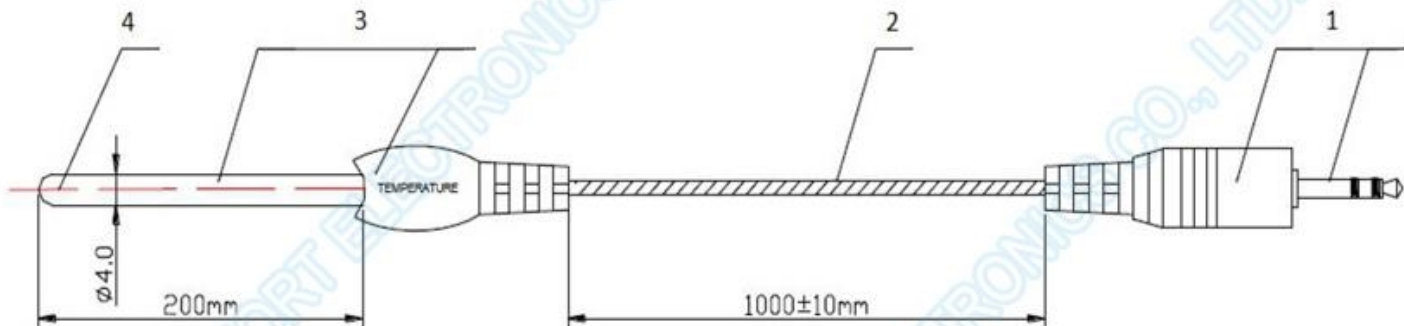
UNIT:mm




RESISTANCE AT 25°C (ohms)	B CONSTANT (25-85)	TEMPERATURE °C	THERMAL TIME CONSTANT (SEC.)	THERMAL DISSIPATION CONSTANT (Mw/°C)	H12 Series PART No.:
98.63K ±1%	4066K ±1%	-40°C ~ 350°C	Max. 8	≥ 2.5	CWFB198 ₃ FD-112M

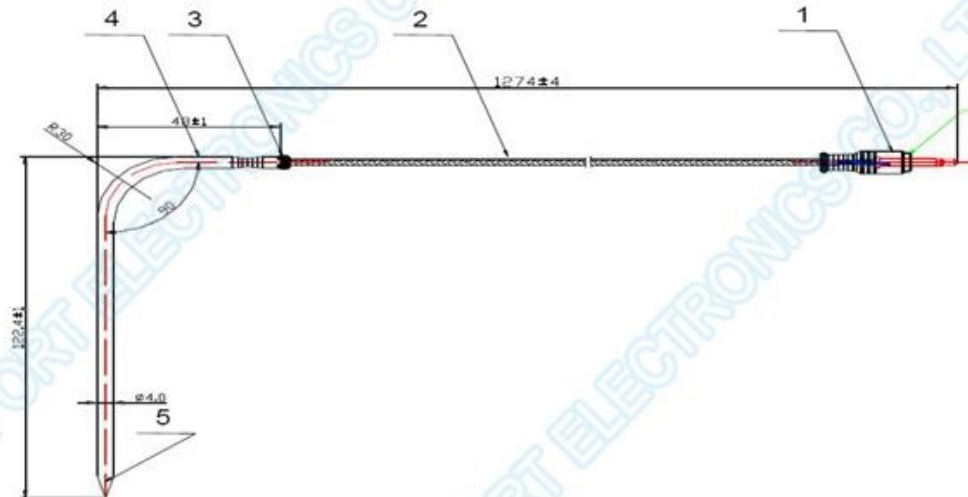
No.	COMPONENT	MATERIAL AND SPECIFICATIONS	Q'TY	REMARK	DRAWNING No.:		
1	ELEMENT	ACU CHIP	1		REVISION:	SCALE	
2	HOUSING	Stainless Steel Probe Φ4*0.3*180	1		APPROVED BY:	DATE:	
3		S304 Handle Φ11*60	1		CHECKED BY:	DATE:	
4		Spring 6*0.6*30	1		DRAWN BY:	DATE:	
5	LEAD WIRE	AWG#26 *2P PTFE 380°C			 Dongguan Ampfort Electronics Co., Ltd. 东莞市安伏特电子有限公司		
6	CONNECTOR	2.5mm Mono Jack	1	BLACK			


UNIT:mm



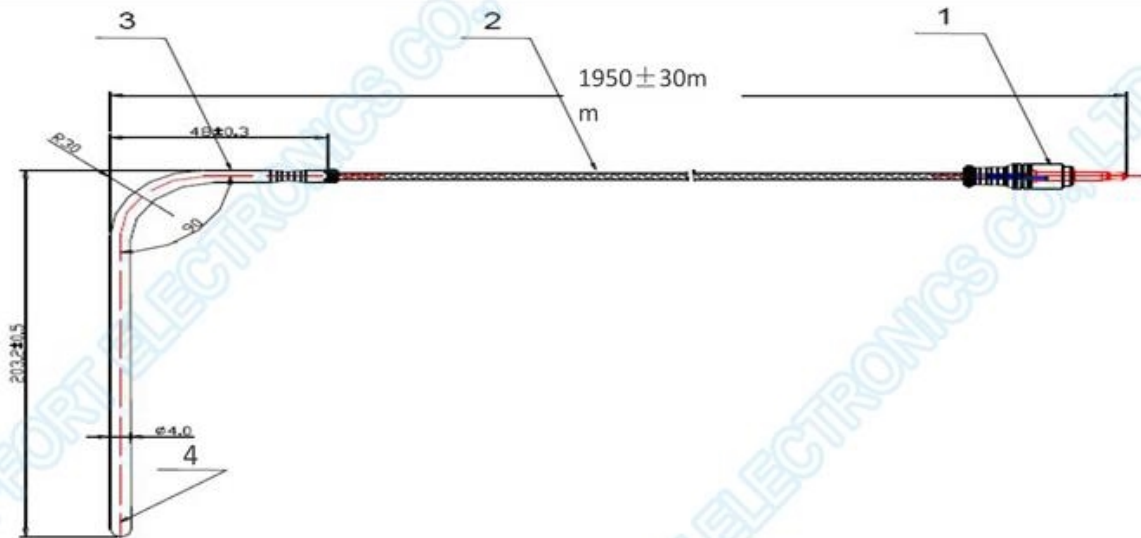
RESISTANCE AT 25°C (ohms)	B COMSTANT (25-50)	TEMPERATURE °C	THERMAL TIME CONSTANT (SEC.)	THERMAL DISSIPATION CONSTANT (Mw/°C)	H15 Series PART No.:			
R25:100K Ω ±1%	3950	-20°C ~ 100°C	Max. 8	≥ 2.5	CWFB1104FC-102SPM			
No.	COMPONENT	MATERIAL AND SPECIFICATIONS	Q'TY	REMARK	DRAWNING No.:			
4	ELEMENT	ACU CHIP	1		REVISION:	V1	SCALE	1:1
3	HOUSING	Stainless Steel Probe(S304) Φ4*0.4*200mm	1		APPROVED BY:		DATE:	
		PVC Overmold (1328 45P)	1	BLACK	CHECKED BY:		DATE:	
2	LEAD WIRE	PVC Cable(OD3.0 Teflon conductor with)	1000	BLACK	DRAWN BY:		DATE:	2016.06.23
1	CONNECTOR	Audio plug, 3.5*6. 0*23. 5mm , HBTM-9	1		 Dongguan Ampfort Electronics Co., Ltd. 东莞市安伏特电子有限公司			


UNIT:mm



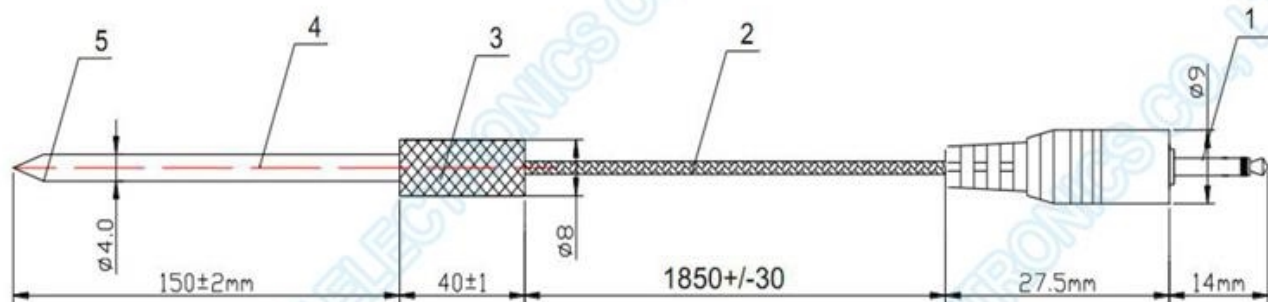
RESISTANCE AT 25°C (ohms)	B CONSTANT (25-85)	TEMPERATURE °C	THERMAL TIME CONSTANT (SEC.)	THERMAL DISSIPATION CONSTANT (Mw/°C)	H17 Series PART No.:		
R25:100K Ω ±1%	4070	-40°C ~ 350°C	Max. 8	≥ 2.5	CWFB1104FC-142M		
No.	COMPONENT	MATERIAL AND SPECIFICATIONS	Q'TY	REMARK	DRAWNING No.:	WG151615	
5	ELEMENT	ACU CHIP	1		REVISION:	V1	SCALE: 1:1
4	HOUSING	Stainless Steel Probe (S304) Φ4	1		APPROVED BY:	Chemmy	DATE: 2016.06.23
3	Tube	PTFE 12T	1	Grey	CHECKED BY:	Carson	DATE: 2016.06.23
2	LEAD WIRE	Braided cable AWG26 380°C	1340		DRAWN BY:	Olive	DATE: 2016.06.23
1	CONNECTOR	Mono plug jack, 2.5mm	1	Black	 Dongguan Ampfort Electronics Co., Ltd. 东莞市安伏特电子有限公司		


UNIT:mm



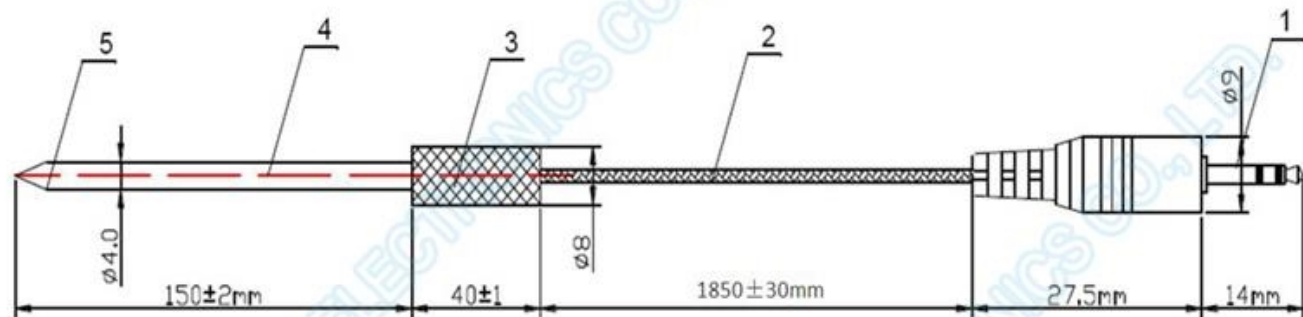
RESISTANCE AT 25°C (ohms)	B CONSTANT (25-85)	TEMPERATURE °C	THERMAL TIME CONSTANT (SEC.)	THERMAL DISSIPATION CONSTANT (Mw/°C)	H21 Series PART No.:			
R25:1388K Ω ±5% R200:4KΩ ±1%	4557	-40°C ~ 350°C	Max. 8	≥2.5	CWFB1105FD-192M			
No.	COMPONENT	MATERIAL AND SPECIFICATIONS	Q'TY	REMARK	DRAWING No.:			
4	ELEMENT	ACU CHIP	1		REVISION:	V1	SCALE	1:1
3	HOUSING	Stainless Steel Probe (S304) Φ4*203, 2*48	1		APPROVED BY:		DATE:	
2	LEAD WIRE	AWG#26 Braided wire 380°C	1		CHECKED BY:		DATE:	
1	CONNECTOR	2.5mm mono audio jack	1	BLACK	DRAWN BY:		DATE:	2016.04.12
					 Dongguan Ampfort Electronics Co., Ltd. 东莞市安伏特电子有限公司			


UNIT:mm



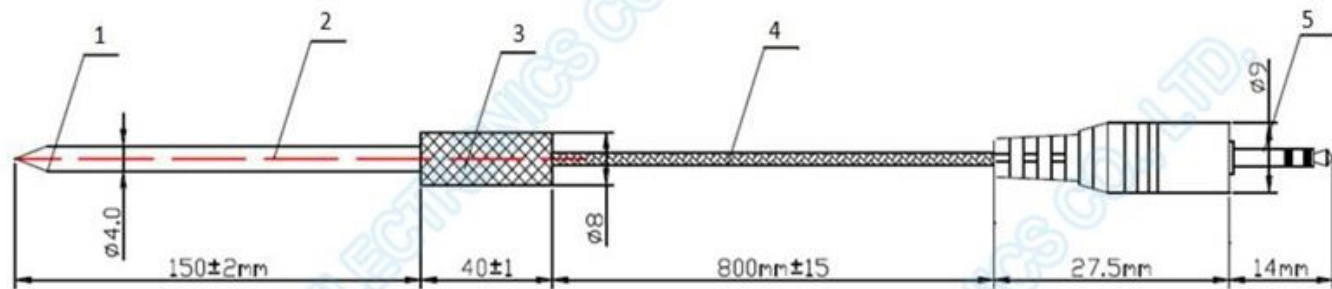
RESISTANCE AT 25°C (ohms)	B COMSTANT (25-85)	TEMPERATURE °C	THERMAL TIME CONSTANT (SEC.)	THERMAL DISSIPATION CONSTANT (Mw/°C)	H702S Series PART No.:		
R25:1388K Ω $\pm 5\%$ R200:4K Ω $\pm 1\%$	4557	-40°C ~ 350°C	Max. 8	$\cong 2.5$	CWFB1105FD-182M		
No.	COMPONENT	MATERIAL AND SPECIFICATIONS	QTY	REMARK	DRAWNING No.:		
5	ELEMENT	ACU CHIP	1		REVISION:	V1	SCALE: 1:1
4	HOUSING	Stainless Steel Probe (S304) $\Phi 4*0.4*190$	1		APPROVED BY:		DATE:
3		Aluminum Handle $\Phi 8*\Phi 4.1*40$	1		CHECKED BY:		DATE:
2	LEAD WIRE	AWG#26 Braided wire 380°C	1		DRAWN BY:		DATE: 2016.04.12
1	CONNECTOR	3.5 mm mono audio plug	1	BLACK	 Dongguan Ampfort Electronics Co., Ltd. 东莞市安伏特电子有限公司		


UNIT:mm



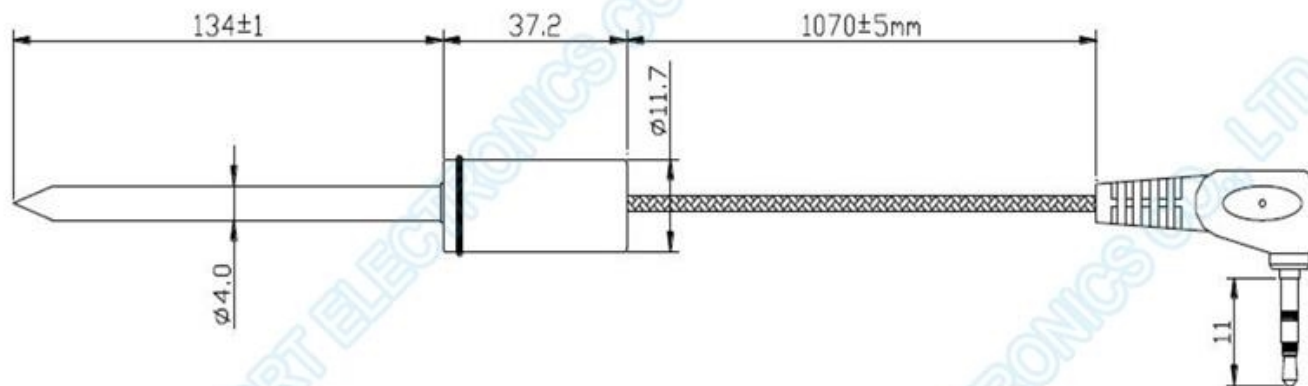
RESISTANCE AT 25°C (ohms)	B CONSTANT (25-85)	TEMPERATURE °C	THERMAL TIME CONSTANT (SEC.)	THERMAL DISSIPATION CONSTANT (Mw/°C)	H702S Series PART No.:		
R25:1388K Ω $\pm 5\%$ R200:4K Ω $\pm 1\%$	4557	-40°C ~ 350°C	Max. 8	$\cong 2.5$	CWFB1105FD-182M		
No.	COMPONENT	MATERIAL AND SPECIFICATIONS	Q'TY	REMARK	DRAWNING No.:		
5	ELEMENT	ACU CHIP	2		REVISION:	V1	SCALE: 1:1
4	HOUSING	Stainless Steel Probe (S304) $\phi 4 \times 0.4 \times 190$	1		APPROVED BY:		DATE:
3		Aluminum Handle $\phi 8 \times \phi 4.1 \times 40$	1		CHECKED BY:		DATE:
2	LEAD WIRE	WG#26 Braided wire (Braided Cable) 380	1		DRAWN BY:		DATE: 2016.04.12
1	CONNECTOR	3.5mm Stereo Jack	1	BLACK	 Dongguan Ampfort Electronics Co., Ltd. 东莞市安伏特电子有限公司		


UNIT:mm



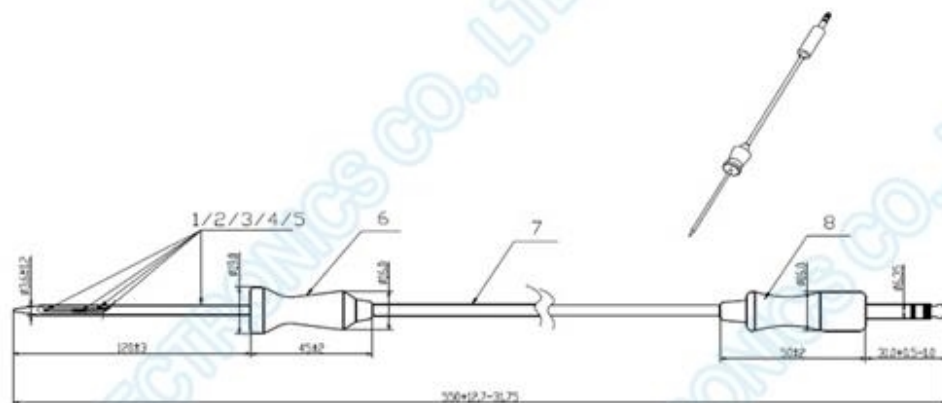
RESISTANCE AT 25°C (ohms)	B COMSTANT (25-50)	TEMPERATURE °C	THERMAL TIME CONSTANT (SEC.)	THERMAL DISSIPATION CONSTANT (Mw/°C)	H702S Series PART No.:		
100K $\pm 1\%$	3950K $\pm 1\%$	-40°C ~ 350°C	Max. 8	≥ 2.5	CWFB1104FC-801M		
No.	COMPONENT	MATERIAL AND SPECIFICATIONS	Q'TY	REMARK	DRAWNING No.:		
1	ELEMENT	ACU CHIP	1		REVISION:		SCALE
2	HOUSING	Stainless Steel Probe $\phi 4 \times 0.4 \times 190$	1		APPROVED BY:		DATE:
3		Aluminum Handle $\phi 8 \times \phi 4.1 \times 40$	1		CHECKED BY:		DATE:
4	LEAD WIRE	AWG#26 Braided wire 380°C	1		DRAWN BY:		DATE:
5	CONNECTOR	3.5mm Stereo Jack	1	BLACK	 Dongguan Ampfort Electronics Co., Ltd. 东莞市安伏特电子有限公司		
6							

UNIT:mm



RESISTANCE AT 25°C (ohms)	B COMSTANT (25-50)	TEMPERATURE °C	THERMAL TIME CONSTANT (SEC.)	THERMAL DISSIPATION CONSTANT (Mw/°C)	H838 Series PART No.:			
R25:1000K Ω ±1%	4600	-40°C ~ 350°C	Max. 8	≅ 2.5	CWFB1105FD-112SPM			
No.	COMPONENT	MATERIAL AND SPECIFICATIONS	Q'TY	REMARK	DRAWNING No.:			
4	ELEMENT	ACU CHIP	2		REVISION:	V1	SCALE	1:1
3	HOUSING	Stainless Steel Probe(S304) Φ4*0.3*134mm	1		APPROVED BY:		DATE:	
2	LEAD WIRE	Braided Cable (26AWG * 2P 380°C)	1100		CHECKED BY:		DATE:	
1	CONNECTOR	Stereo Plug, 2.5mm	1		DRAWN BY:		DATE:	2016.12.02
					 Dongguan Ampfort Electronics Co., Ltd. 东莞市安伏特电子有限公司			

UNIT:mm



RESISTANCE (K ohms)		B COMSTANT (0-100)	TEMPERATURE °C	THERMAL TIME CONSTANT (SEC.)	THERMAL DISSIPATION CONSTANT (Mw/°C)	NS Series PART No.:		
R100°C:3.3KΩ±2.5%		B0/100:3970K±2%	-0°C ~ +300°C	Approx 3.0	Approx 5.0	CWFB1332FC-361M		
No.	COMPONENT	MATERIAL AND SPECIFICATIONS	QTY	REMARK	DRAWING No.:			
1	ELEMENT	R100°C:3.3KΩ±2.5%, B0/100:3970K±2%	1		REVISION:	A/0	SCALE	1:1
2	Casing	AWG30L Teflon spaghetti sleeving	2	Transparent				
3	HOUSING	634BS-1 Brass nickel plated	2		APPROVED BY:	DZ LING	DATE:	15.07.30
4	Casing	AWG15L Teflon spaghetti sleeving	2	Transparent	CHECKED BY:	XR LU	DATE:	15.07.30
5	HOUSING	Φ4 SUS304 Stainless steel	1		DRAWN BY:	HD CHENG	DATE:	15.07.30
6	Sheath 1	Silica gel set 250°C						
7	LEAD WIRE	#22 Silicone shielded wire 250°C L=360±15mm	1					
8	Sheath 2	Silica gel set 250°C						
9	Plug	6.3mm 250°C	1					



Dongguan Ampfort Electronics Co., Ltd.
东莞市安伏特电子有限公司